

COLUMN FILTRATION SYSTEM™

The Phipps & Bird Column Filtration System™ (CFS) is used to simulate the process of a direct-filtration water treatment plant. The device is an accessory piece of equipment for the traditional Phipps & Bird JarTester Stirrer with B-Ker²s (not included).

After water samples are agitated through the flash and flocculation stages, the samples are allowed to gravity drain through filter columns, producing a simulated “clean” water test sample. A water line from the plant’s service line can be connected to the device to backwash the filter columns when loading the granular media or when cleaning the media after a test procedure.

The device consists of four or six filter columns (2” ID clear PVC) and sets of valves to control the flow of water samples from the sample B-Ker²s and service water during the backwash process. All components are mounted on a portable rack with casters. The CFS can be used in the lab or moved to other convenient locations within the treatment plant.



- Phipps & Bird JarTester (Sold Separately)
- B-KER²® (Sold Separately)
- Quick-Disconnect
- Upper Control Valve
- Backwash Drain Tube
- Filter Column
- Filter Drain Tube
- Drainage Trough
- Lower Control Valve

JarTester sold separately

Catalog No.	Four Place:	Six Place:
	# 7780-100	# 7780-200
Dim:	Height: 60"	Height: 60"
	Depth: 30"	Depth: 30"
Base:	Width: 34"	Width: 46"

Materials:

- Casters: Swivel (front w/Brake), 3” x 1” Black Rubber Wheels.
- Frame: CRS and “Galvaneal” Steel, Powder-Coated.
- Galvanized Steel Fastener Hardware.
- Valves: 3-way Brass
- Tubing: 3/8” OD X 1” ID” Copper and Flexible Vinyl
- Filter Columns: 2” Clear PVC



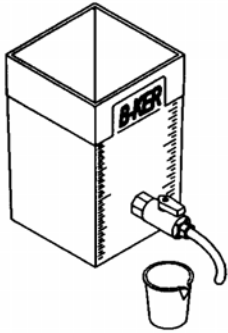
Phipps & Bird would like to acknowledge the contributions of Scott Williams and Anton Treuting. Westwood Chemical, Middletown, NY; Debbie Brink, AWWA Research Group, Denver CO; and Daniel Bowers, Eugene Bowers, and Dale Newkirk, Metropolitan Water District of Southern California, La Verne, CA for their role in developing this product.



P.O. Box 7475 • Richmond • VA • 23221-0475
 Tel: (804) 254-2737 • (800) 955-7621 • Fax: (804) 254-2955
 Email: Mail@PhippsBird.com • Web Site: www.phippsbird.com

©2002 Phipps & Bird, Inc.
 Rev: 03/02
 P/N658900035

JarTester™ Accessories

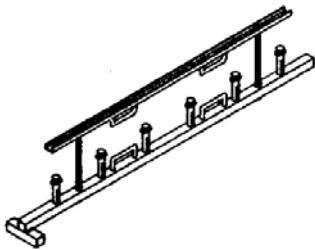


B-Ker²® Floc Jars

2-liter molded square acrylic jar complete with PVC ball valve and sampling cup (10cc). The ball valve is used for taking samples and is 10cm from the 2-liter fill line.
Catalog # 7790-630

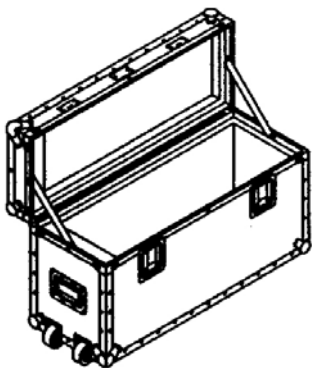
Laboratory Beakers (not pictured)

1-liter, round glass (Pyrex). Minimum order of 6 each.
Catalog # 7790-620



DoserBar™

Spring loaded design permits simultaneous dosing of all floc jars with 10cc syringes. Aluminum tubing (square) and channel construction. Replacement syringes are available.
Catalog # 7790-650, DoserBar, 4-Place
Catalog # 7790-660, DoserBar, 6-Place



Carrying/Shipping Case

For 4-place JarTesters only. Meets ATA 300 Standards. Manufactured from 1/4" #1 grade plywood laminated w/high impact resistant ABS. Outside dimensions: 38"L x 15"W x 21"H. Inside dimensions (with foam lining): 31"L x 10"W x 16"H. Inside is lined with 1" esterfoam. Recessed latches, lock, handles and casters (3").
Catalog # 7791-020

All accessories are available from your dealer or you may order them directly from Phipps & Bird.
Call: 800-955-7621, ext. 218



P.O. Box 7475 • Richmond • VA • 23221-0475
Tel: (804) 254-2737 • (800) 955-7621 • Fax: (804) 254-2955
Email: Mail@PhippsBird.com • Web Site: www.phippsbird.com

©2002 Phipps & Bird, Inc.
Rev: 03/02
P/N658900035